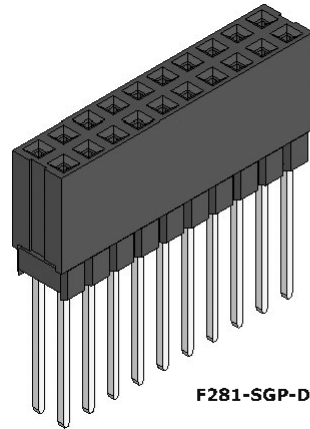


Female Header 2.54 mm

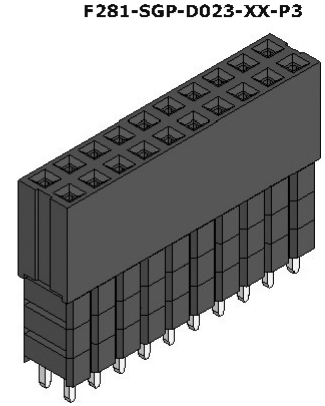
180° Series

SPECIFICATIONS

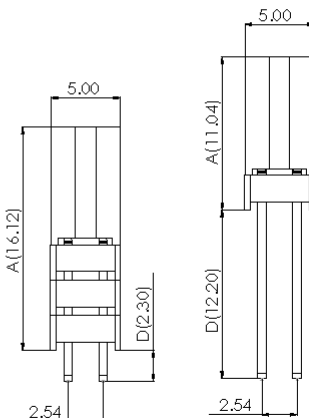
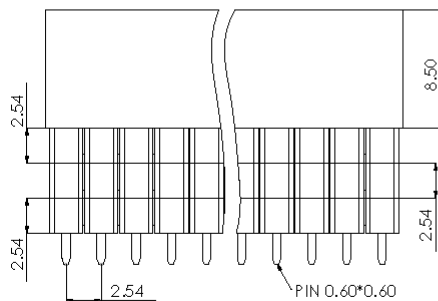
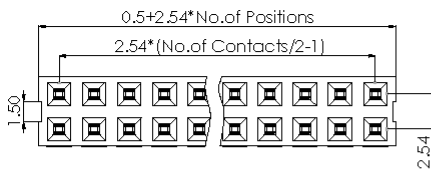
- Current Rating: 3 A
- Insulator Resistance: 5000 MOhm min.
- Contact Resistance: 20 mOhm max.
- Dielectric Withstanding: AC 1000 V
- Operating Temperature: -40°C ~ +105°C
- Soldering Temperature: 260°C for 3~5 sec. max
- Contact Material: Brass
- Insulator Material: Polyester, UL 94V-0
- Standard: P.B.T.
- Finish: Tin, Gold or Duplex Plated
- Standard: Gold Flash all over
- Note: Duplex Plating: Gold Plated on contact area, Tin on solder area



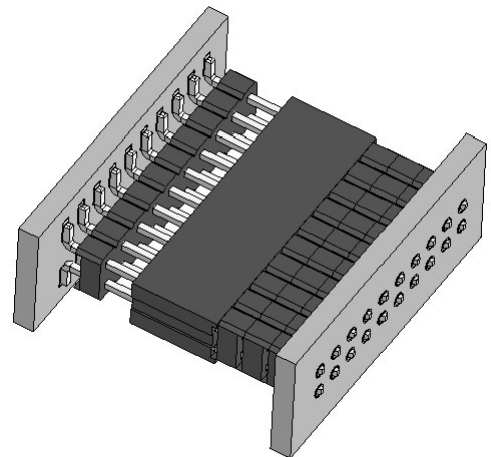
F281-SGP-D122-XX-P1



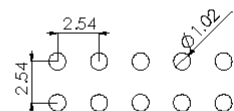
F281-SGP-D023-XX-P3



[F281] -P3 [F281] -P1



Recommended P.C.Board Hole Layout



How to order

Unit: mm

Series	Connector Type	Contact Plating	Material	Pin Length mm	Number of Contacts	Other
FXXX	- X	X	X	- DXXX	- XX	- XX
F281:F/H 2.54 H:8.50 Dual Row	S: Straight Type	G: Gold Flash T: Tin Plated A: 10U"Gold B: 15U"Gold C: 20U"Gold ©Duplex Plating D: Gold Flash/Tin (Standard:G)	P:PBT N:Nylon-6T (Standard:P)	S-D D023 D122	(04 TO 80 Contacts)	P1:A=11.04 P3:A=16.12